

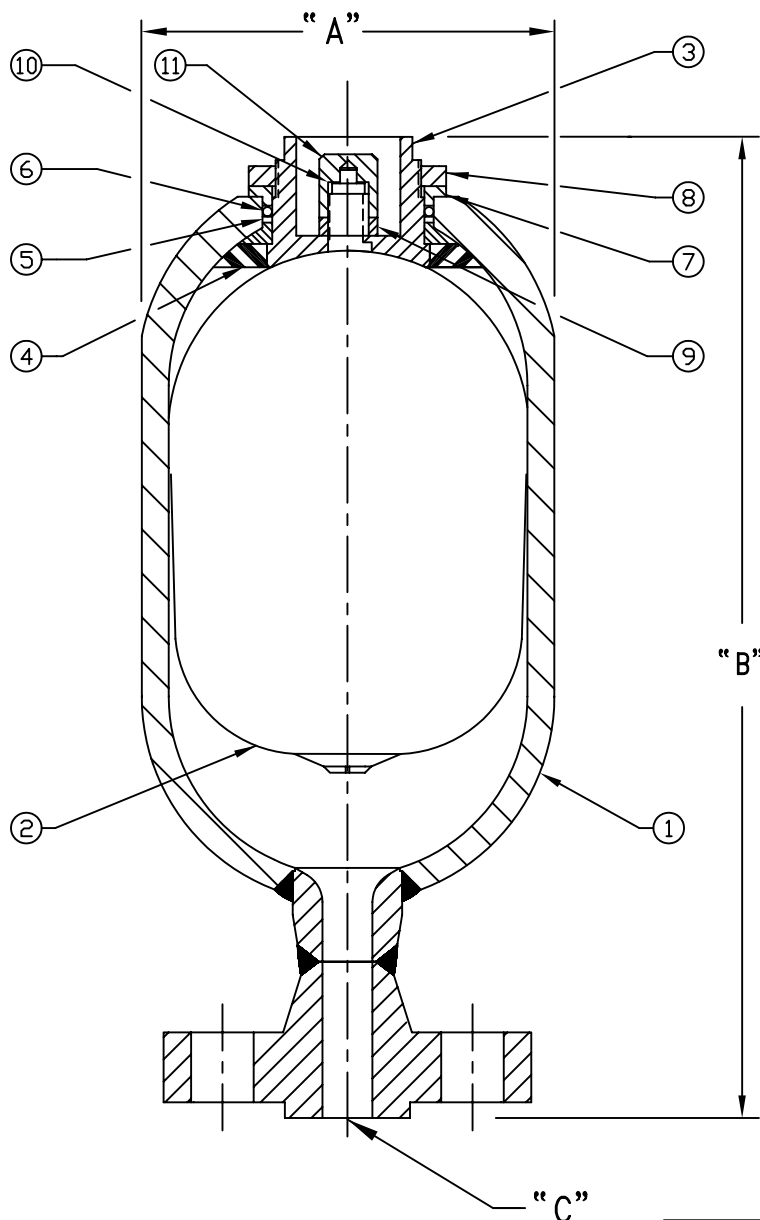
DATA SHEET AT-06

APPENDAGE TOP REPAIRABLE PULSATION DAMPENER

3000psi

Nominal Size (Gallon)	Model Number	"A" Dia. (In.)	"B" OAH. (In.)	"C" Fluid Port Connector	Est. Dry Weight (lbs)	Design Pressure (psig)
1	1.0AT-3000C	6.63	16.50	1"-1500# RF FLANGE	45	3000

- ALL WETTED PARTS ARE STAINLESS STEEL AND EPOXY COATED CARBON STEEL.
- 3000 PSI DESIGN PRESSURE WITH A 4X SAFETY FACTOR PER ASME CODE.
- ASME CODED, SECTION VIII, DIV. 1.
- TOP REPAIRABLE DESIGN.
- BLADDER MATERIAL IS AROMATIC RESISTANT BUNA-N; OTHER COMPOUNDS AVAILABLE.



PARTS LIST:

Item	Qty	Description
1	1	SHELL
2 *	1	BLADDER ASS'Y
3	1	GAS END PLUG
4	1	ANTI-EXTRUSION RING
5	1	WASHER
6 *	1	O-RING
7	1	SPACER
8	1	LOCKNUT
9	1	JAMNUT
10 *	1	DYNA SEAL
11	1	VALVE GUARD

*Recommended replacement parts.

